

27th Annual Meeting of MRS-J(2017) Materials Innovation for Global Growth Information for Exhibition and Advertisement

MRS-J Office

507D, Yokohama Bldg. 3-9 Kaigan dori, Naka-ku, Yokohama 231-0002, Japan

FAX:045-263-8539 E-mail: meetings2017@mrs-j.org

Date: December 5th (Tue) – 7th (Thu) ,2017 (The date may be subject to change for certain reasons.)

Venue: Yokohama Media & Communication Center (Nihon-Odori 11, Naka-ku Yokohama, Japan)

1min. from Nihon-odori station (Gate 1, Minatomirai Line)

10 min. from Kannai station (JR Keihintohoku Line)

Estimated participants : 600

Symposia & Programs :

Frontier of Nano-Materials Based on Advanced Plasma Technologies/Recent progress of studies on spincrossover materials/Processing and Characterization of Advanced Multi-Functional Oxides/Organic Iontronics based Biomimetic Devices/Polarization related ferroic properties and new functional materials/Novel development of research in fullerenes and carbon nanomaterials/Soft Actuators/Soft materials science and technology – various functions on solution, surface, interface, and bulk based on polymers/Frontier of Smart-interfaces/Nano-biotechnology on Interfaces/eco product session/Creation and characterization of advanced materials through computer simulation/Materials Frontier/National College of Technology Collaboration(Provisional)

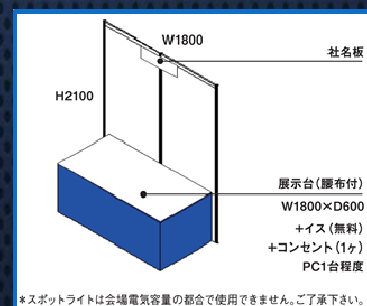
More detail about symposia & program, access <https://www.mrs-j.org/meeting2017/en/>

◆Exhibition

A booth : 150,000 JPY(w/o tax) Corporate member : 100,000JPY(w/o tax)

1 Name banner, 1 table, 1 chair, Power outlet(for a lap-top PC)

Application deadline : 2nd November (Thu)



◆Advertisement in the conference programme

Circulations : 600(the program will be distributed to all participants at registration)

Date of issue : 5th Decmber (Tue)

Application deadline : 2nd November (Thu)

Advertise copy deadline : 6th November (Mon)

Size : W180mm x H260mm



	Exhibitors	Non-member	Corporate members
Cover4 full color	100,000	150,000	75,000
Cover3 full color	70,000	100,000	50,000
Cover2 full color	80,000	120,000	60,000
Front Page B&W	50,000	80,000	40,000
Back Page B&W	30,000	60,000	※

Tax not included in the rate.

※Corporate member who applying exhibition booth can put their advertisement (1 back page B&W) by free on the program

